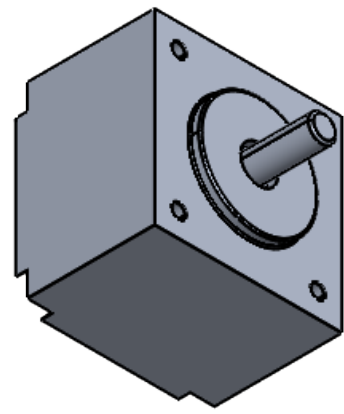
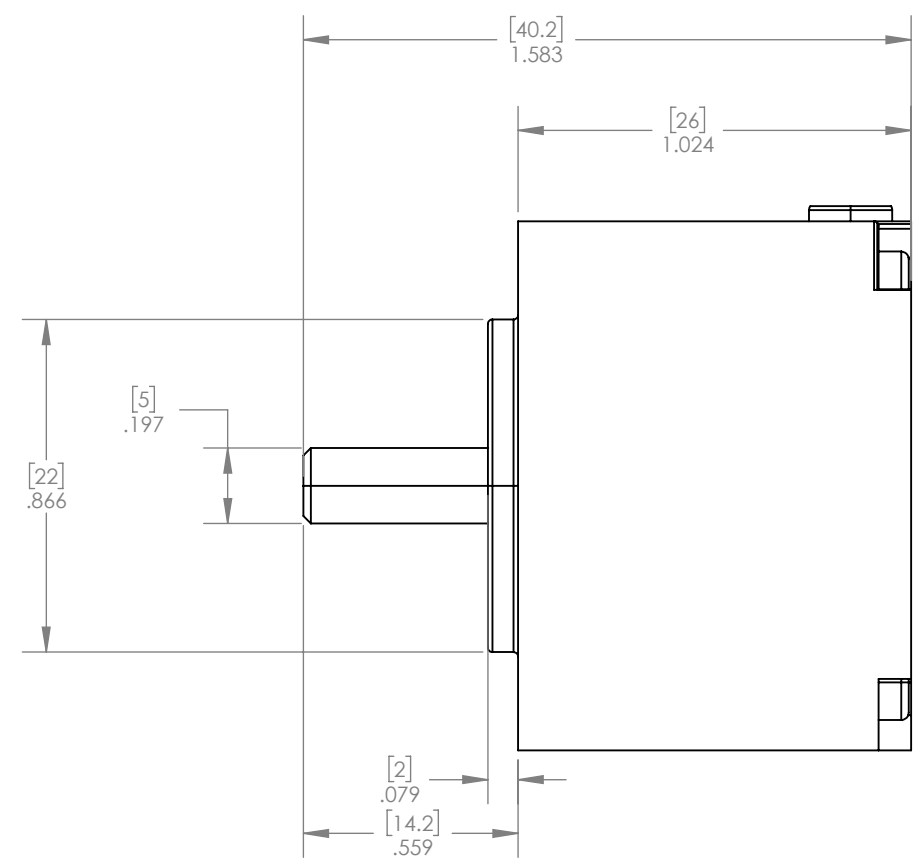
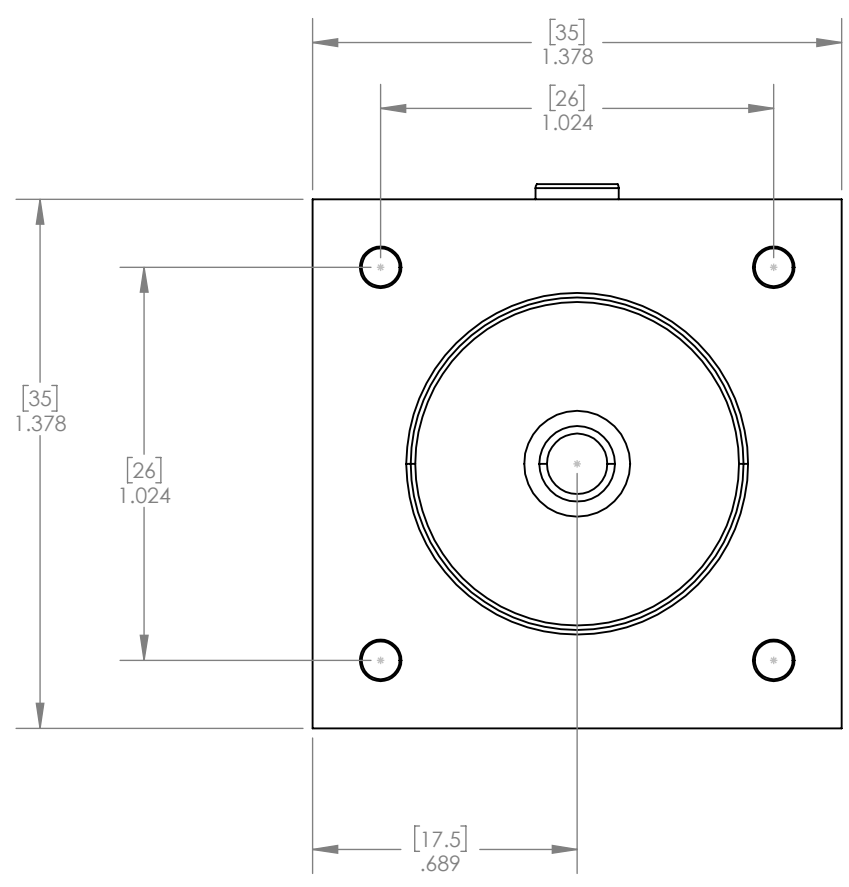


REVISIONS				
ZONE	REV.	DESCRIPTION	DATE	APPROVED
	-	INITIAL RELEASE	05/31/2024	JR



INFRARED
LABORATORIES

PROPRIETARY AND CONFIDENTIAL

THE INFORMATION CONTAINED IN THIS DRAWING IS THE SOLE PROPERTY OF INFRARED LABORATORIES, INC. ANY REPRODUCTION IN PART OR AS A WHOLE WITHOUT THE WRITTEN PERMISSION IS PROHIBITED.

UNLESS OTHERWISE SPECIFIED:
DIMENSIONING AND TOLERANCING PER ANSI Y14.5M-1994 IN INCHES:
.XX ± .010
.XXX ± .005
.XXXX ± .0005
ANGULAR ± 1/2°
ROUGHNESS 63

THIRD ANGLE PROJECTION

DO NOT SCALE DRAWING

TITLE: NEMA 14 CRYOGENIC MOTOR

SIZE **B** DWG. NO. ISP-00146

SCALE: 2:1 WT: 0.193LBS SHEET 1 OF 1