

4

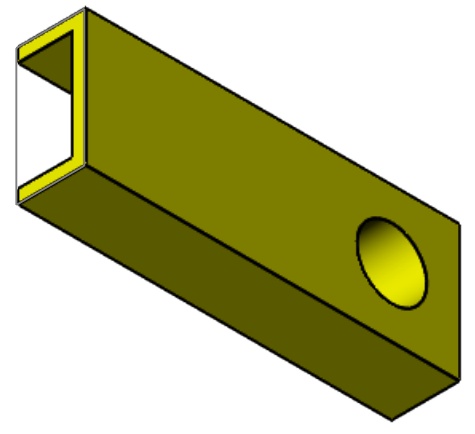
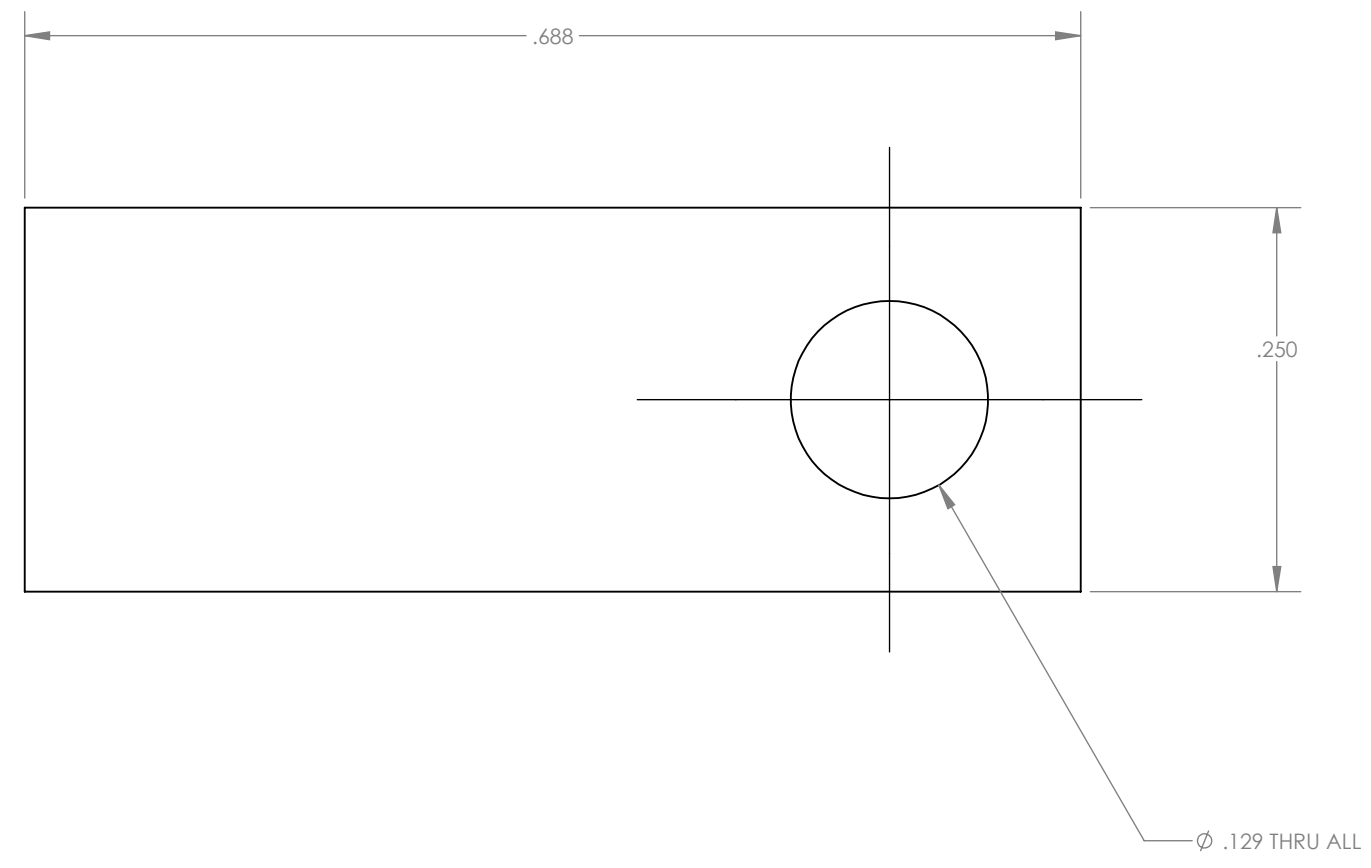
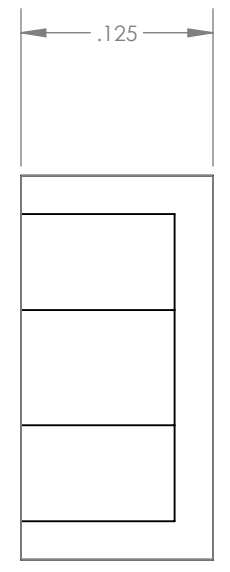
3

2

1

REVISIONS				
ZONE	REV.	DESCRIPTION	DATE	APPROVED
	-	INITIAL RELEASE	05/10/2021	JR

CONNECTION MADE WITH TWO PIN SIP WITH .100 PIN SPACING



<p><b>INFRARED</b> LABORATORIES</p> <p><b>PROPRIETARY AND CONFIDENTIAL</b></p> <p>THE INFORMATION CONTAINED IN THIS DRAWING IS THE SOLE PROPERTY OF INFRARED LABORATORIES, INC. ANY REPRODUCTION IN PART OR AS A WHOLE WITHOUT THE WRITTEN PERMISSION IS PROHIBITED.</p>	<p>UNLESS OTHERWISE SPECIFIED:</p> <p>DIMENSIONING AND TOLERANCING PER ANSI Y14.5M-1994 IN INCHES:</p> <p>.XX ± .010 .XXX ± .005 .XXXX ± .0005 ANGULAR ± 1/2° ROUGHNESS 63</p>	<p>THIRD ANGLE PROJECTION</p>	<p>TITLE: STANDARD TEMPERATURE SENSOR HOUSING</p>		
	<p>DO NOT SCALE DRAWING</p>	<p>SIZE <b>B</b></p>	<p>DWG. NO. ISP-00077</p>	<p>SCALE: 8:1</p>	<p>WT: 0.004LBS</p>

4

3

2

1